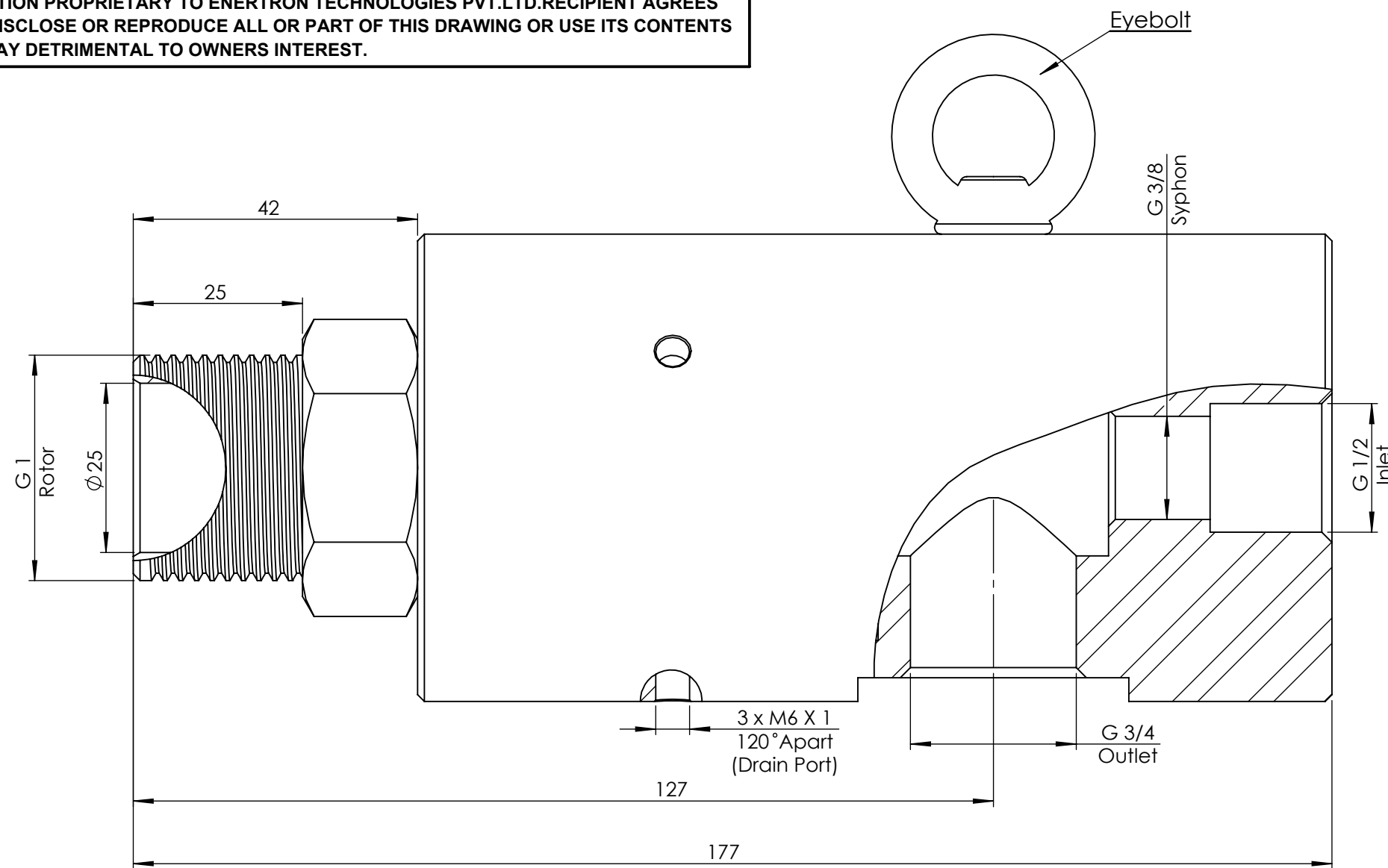
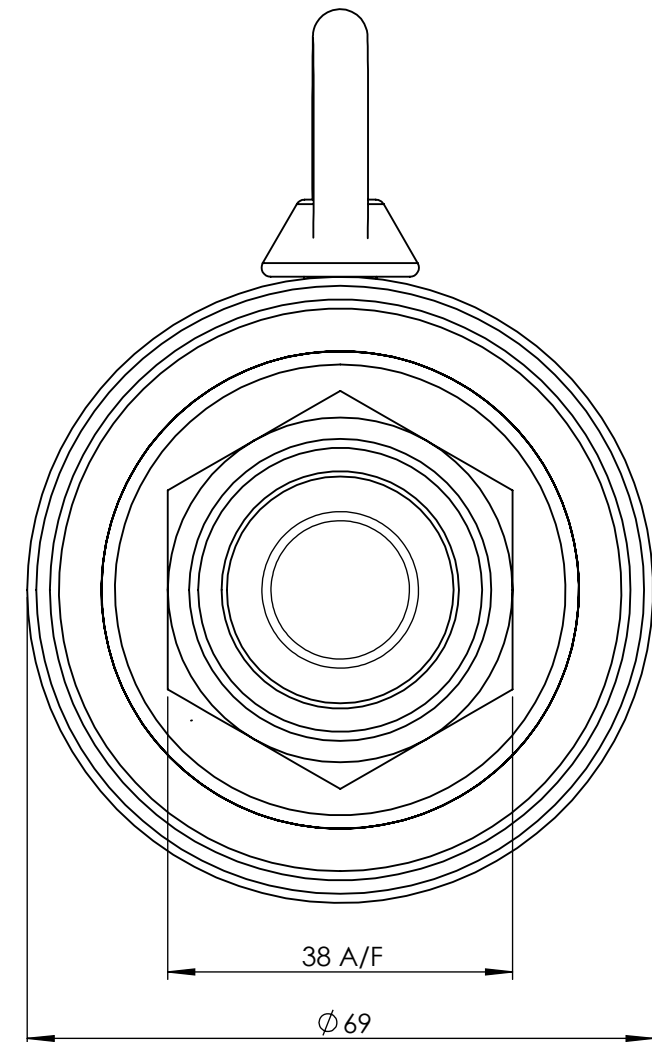


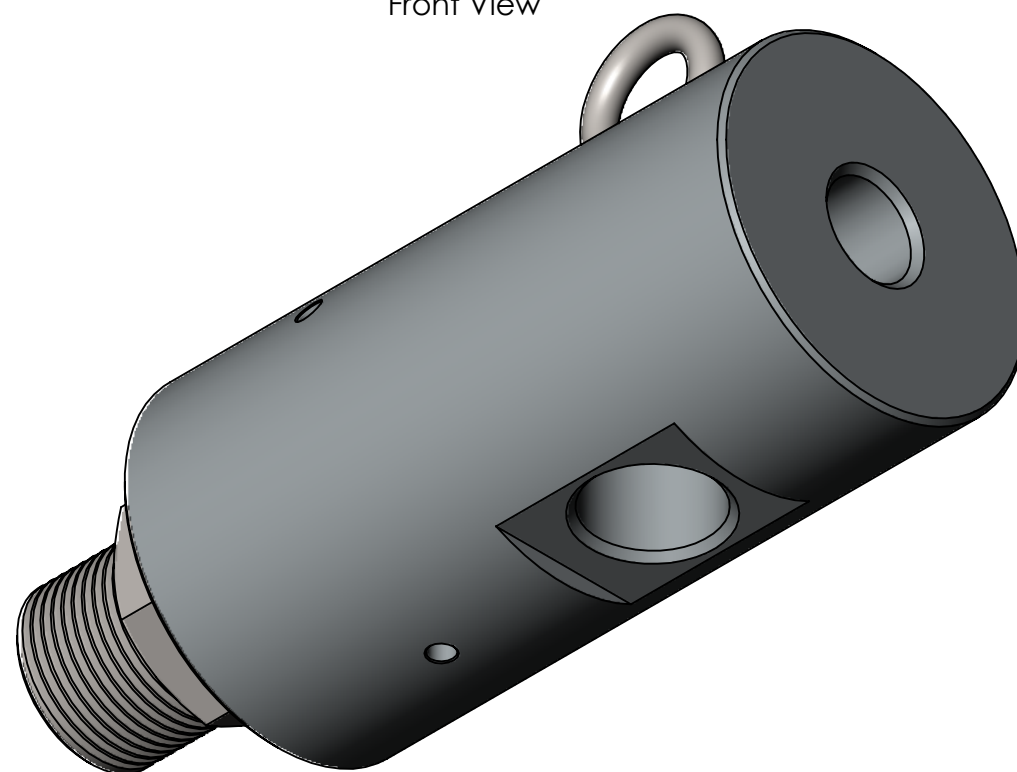
THIS DRAWING IS THE PROPERTY OF ENERTRON TECHNOLOGIES PVT. LTD. AND IS FURNISHED SUBJECT TO RETURN ON DEMAND. ALL OR PART OF THIS DOCUMENT CONTAINS INFORMATION PROPRIETARY TO ENERTRON TECHNOLOGIES PVT.LTD.RECIPIENT AGREES NOT TO DISCLOSE OR REPRODUCE ALL OR PART OF THIS DRAWING OR USE ITS CONTENTS IN ANY WAY DETRIMENTAL TO OWNERS INTEREST.



Front View



Left Side View



Approx eight (Steel) : 3.7 kg

MATERIAL:		QTY:-				Enertron Technologies Pvt. Ltd					
NAME	SIGNATURE	DATE	ALL DIMENSIONS IN MM			Union_700_1 BSP_S					
DRAWN	AAD	AAD	28-03-2025	SHEET 1 OF 1							
CHK'D	SPD	SPD	28-03-2025	SCALE: 1:1		DWG NO. 700-6453-03			DRG. SIZE A3		
APPV'D	SPD	SPD	28-03-2025	REV NO.		EDITION 0 1 2 3 4 5 6					